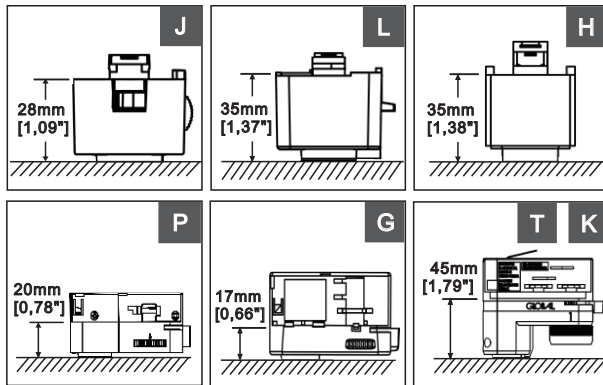
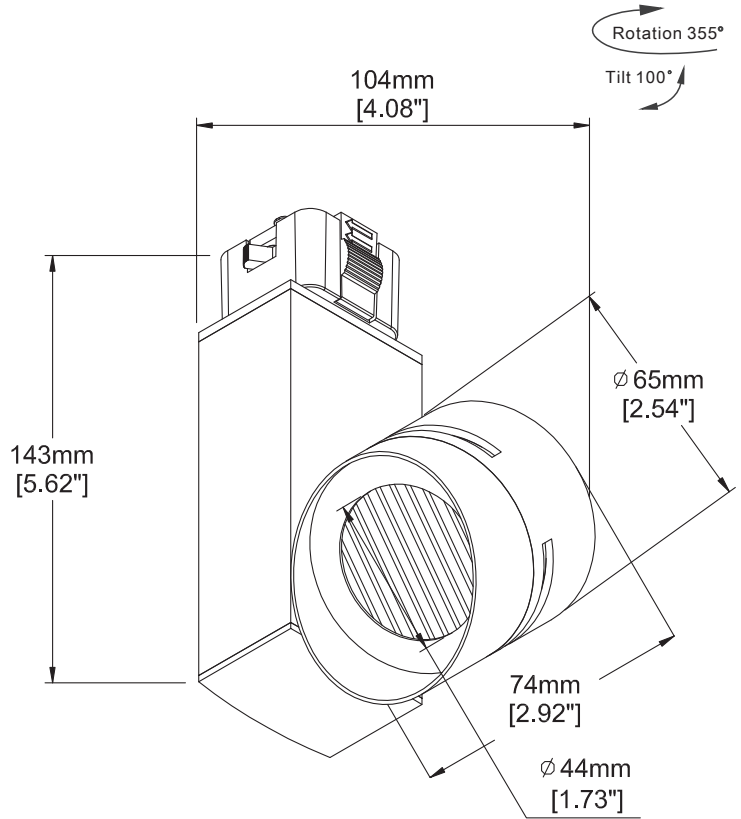


Specification sheet

REV.1

Classic VW2 Vertical Wash Mini (Global / Juno / Halo/ Lightolier/ Power Gear)

1. Juno is a registered trademark of Juno Lighting
2. Halo is a registered trademark of Cooper Lighting
3. Lightolier is a registered trademark of Philips Lighting



Description

Classic VW2 is a versatile track wallwasher designed to deliver evenly distributed linear flood lighting effect by exploiting a linear spread glass lens. The angle-cut bezel directs light toward the direction of the wall while reducing glare. This luminaire can tilt up to 100° for maximum adjustability tailored to meet the requirements of individual applications. Integrated class 2 isolated driver is fine-tuned to provide best dimming performance and efficacy for this luminaire. CLS VW2 is available in Juno, Halo, Lightolier, Global, and Power Gear track adapter configurations.

Features

LED	Philips Luxeon M LED Array
Color temperature	2700K/ 3000K/ 3500K/ 4000K
Optics	Wide 39° and linear spread glass lens
Driver	Integrated class 2 driver, power factor >0.90

Performance

Delivered output	Up to 620 lm
Power consumption	12.5 W
Color rendering	80+CRI (90 CRI optional)
CBCP	Wide 904 cd

Electrical and Control

Input voltage	See the ordering code
Control	TRIAC/ELV dimming
Feature	Overload & short circuit protection.

Construction

Material	Die-cast Aluminum
Finishes	Black/ White
Lens	LEDIL® optics and linear spread glass lens

Rating/ Certification/ Warranty

- Dry and damp Locations
- ROHS compliant
- UL classified E465197
- 5 years/ 50,000 hrs warranty

Ordering Code Information

PRODUCT	Track System	LUMEN	COLOR TEMPERATURE	FINISH	BEAM ANGLE	INPUT VOLTAGE
CLS VW2	J	6	27	AL	W	1

CLS VW2

H Halo track compatible
J Juno track compatible
L Lightlier track compatible
G Global-3 circuit, Ga69
K Global HTEK HTEK100
P Power Gear- 3 wire, 3 circuit
T Global TEK, TEK100

06 600lm

27 (2700K)
 30 (3000K)
 35 (3500K)
 40 (4000K)

WH (White)
 BK (Black)

W (Wide) / 39 deg.

1 (120V)
 2 (120-240V)
 3 (120-277V)
 4 (220-240V)

Photometric Data : Distribution Curve

Classic VW2 Vertical Wash Mini

39° Beam Spread
 3000K/ 90CRI
 > 618lm
 Efficacy >48LPW

